

HYPERTHERMIA CART

Classic Series - Built-In Refrigerator

Model SH-130-2B



Model SH-130-2B



Benefits

- Quiet, smooth ease of transport
- Provides critical refrigerated storage close to treatment areas
- Self-closing door frees hands and saves energy
- Larger 1.8 cu. ft. (51 L) storage
- Durable long life

Features

- Dual-wall steel construction
- Built-in refrigerator with state-of-the-art electronic controls
- Choice of epoxy finish colors
- 3" high locking utility drawer
- Durable, quiet swivel casters
- Molded plastic top
- Outrigger style caster mount with corner bumpers
- Key-lock drawer and refrigerator door
- Dual ergonomic push handles



Easy-to-use touch button controls



Vented back with power cord and main on/off switch



Quiet, heavy-duty deluxe casters; two directional locking and two braking

HYPERTHERMIA CART

Classic Series - Built-In Refrigerator

Model SH-130-2B

Specifications:

Constructed of dual-wall steel with epoxy powdercoat finish. Built-in medical-grade refrigerator and 3" high locking utility drawer with chrome plated pull. Cabinet features outrigger style stabilizing base with integrated corner bumpers and dual ergonomic vertical push handles with cushion grips. Durable, easy-to-clean, molded removable plastic top. Quiet, heavy-duty deluxe casters; plate-mount design with 5" (127 mm) diameter wheels, two directional locking and two braking.

Refrigerator:

Features solid stainless steel locking door with gasket and self-closing hinges. Includes (2) epoxy-coated wire shelves, adjustable in 1/2" increments. Interior size is 14.6" W x 11.6" D x 15.72" H (37 cm x 29 cm x 40 cm), 1.8 cu.ft. (51 L). Environmentally responsible R134a forced-air cooled refrigeration system. Bottom-mounted controls display product temperature in user-selectable C or F with a range of 36° - 50°F (2° - 10°C). Integral high and low temperature alarming. Storage area insulated with CFC-free, high-density polyurethane foam. Electrical: 115 V, 60 Hz, 1 phase, 15A, with 8' (2.4 m) power cord with NEMA 5-15P 90° hospital-grade plug. NSF, UL and CUL listed.

Model Information:

Model	Unit Wt.	Cabinet Size		Overall Size		
		W	D	W	D	H
SH-130-2B	188 lbs (85 kg)	26½"	18"	32½"	25"	45"
		(673)	(457)	(826)	(635)	(1143)

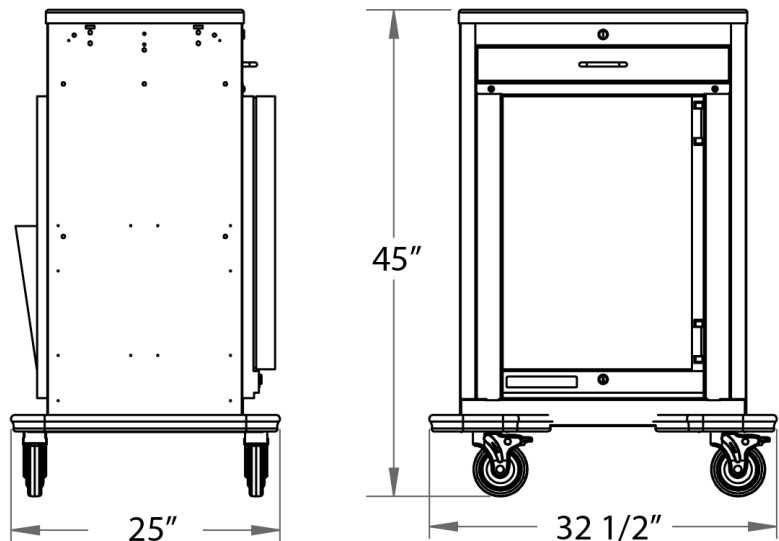
Measurements in () are metric millimeters unless otherwise noted.

COLOR CHOICES

- | | |
|--|--|
| <input type="checkbox"/> G Telegraph Gray | <input type="checkbox"/> MV Mauve |
| <input type="checkbox"/> B Blue | <input type="checkbox"/> SG Sea Foam Green |
| <input type="checkbox"/> R Red | <input type="checkbox"/> CR Cranberry |
| <input type="checkbox"/> Y Yellow | <input type="checkbox"/> BG Blue Gray |
| <input type="checkbox"/> BE Beige | <input type="checkbox"/> CB Crash Cart Blue |
| <input type="checkbox"/> HG Hunter Green | <input type="checkbox"/> TP Taupe |
| <input type="checkbox"/> TL Teal | <input type="checkbox"/> SB Slate Blue |
| <input type="checkbox"/> LV Lavender | |

- Drawer/Front* Shell/Drawer/Front

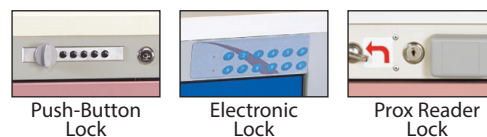
**Telegraph Gray shell*



Options:

- | | |
|---|---|
| <input type="checkbox"/> Additional 3" H drawer | <input type="checkbox"/> Electronic drawer lock* |
| <input type="checkbox"/> Push-button drawer lock* | <input type="checkbox"/> Prox reader drawer lock* |

**With key override*



Lakeside Manufacturing, Inc.
 4900 West Electric Avenue • West Milwaukee, WI 53219 U.S.A.
 800-558-8565 • 414-902-6400 • Fax 414-902-6446
 info@elakeside.com • www.eLakesidehealthcare.com